



## Mk2000S

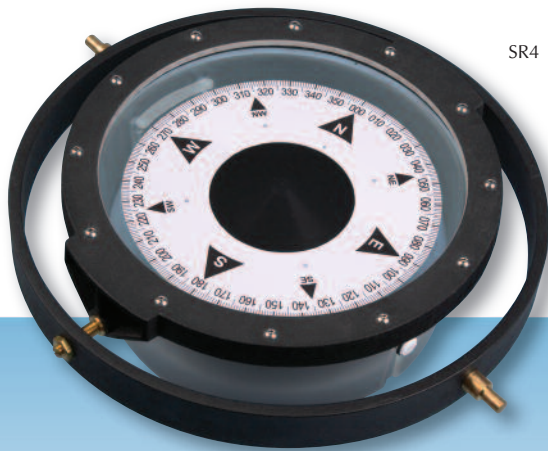
### Magnetic Compass Outfit

For commercial vessels over 150GRT, fishing vessels over 35m and naval vessels with or without DG correction

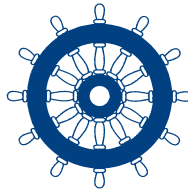
Suitable for use with Lilley & Gillie (and other) Transmitting Magnetic Compass (TMC) equipment to operate repeaters, off-course alarms and outputs to navigation equipment including gyro back up



P1920 Steering Repeater (Option)



SR4

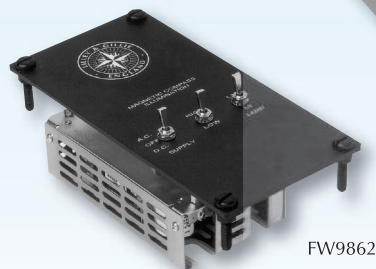


Type approved to the European Marine Equipment Directive (MED), Chinese Classification Society and other Maritime Authorities

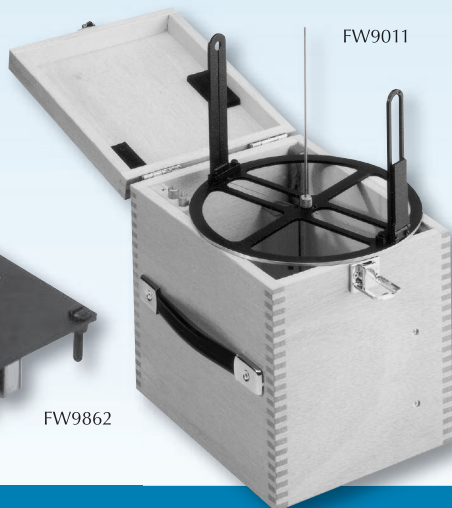
NSN 660-599-226-1091

### Design Features

- Reduced shipyard installation work
- Improved watertightness around deck/periscope area
- Simple periscope assembly installation and removal
- Low weight
- Low voltage lighting within the binnacle
- Mounting arrangements for various TMC sensors



FW9862



FW9011



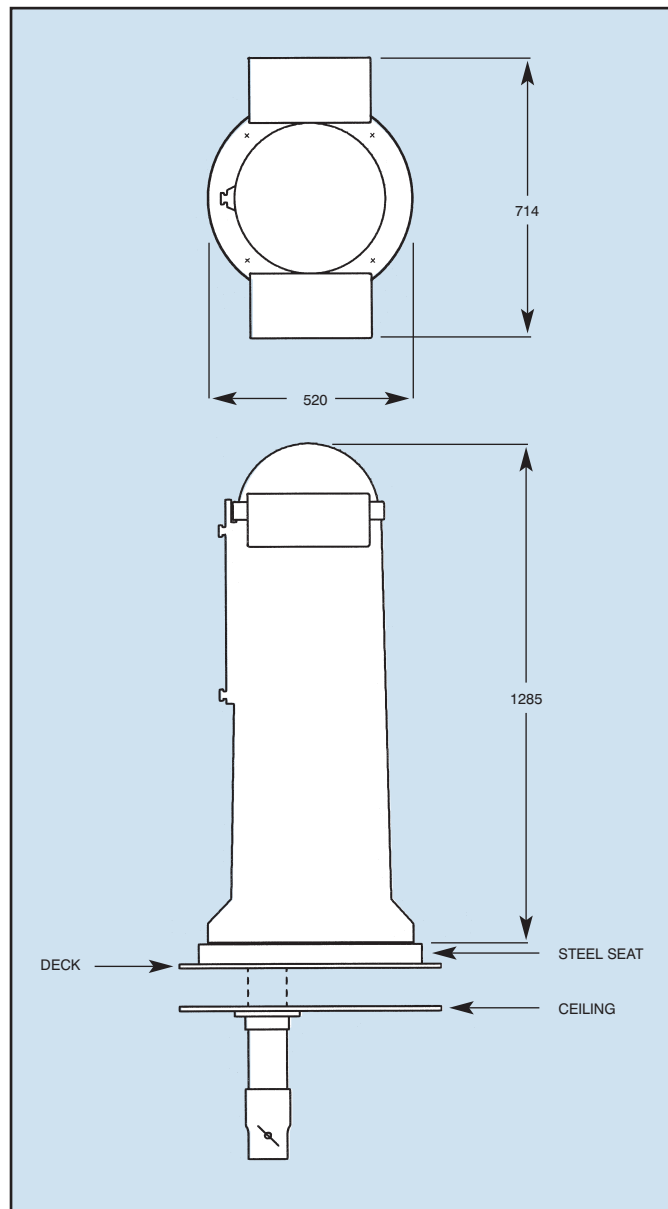
NSN 660-599-000-5763

# Lilley & Gillie Mk2000S Magnetic Compass Outfit

The compass outfit is available in Reflector, Non-Reflector and Naval (DG Correction) versions with the following features.

<b>Material</b>	Reinforced glassfibre binnacle.	
<b>Correction</b>	A full set of compensating magnets for B, C and H plus adequate quadrantal corrector and flinders plates.	
<b>Periscope</b>	Telescopic with a maximum vertical length of two metres.	
<b>Fixings</b>	Rubber base gasket and four S/S M20x90 mounting bolts, nuts and washers.	
<b>Lighting</b>	Two 24vdc 15w lamps and one spare fitted within the binnacle. Control of lamps, dimmer and power supply by the FW9862 Control Unit. A two position dimmer switch is also fitted within the binnacle for local control.	
<b>Power Supplies</b>	The FW9862 Control Unit includes a transformer and has AC mains (110 or 220v) and 24vdc inputs with 24vdc outputs. Both the input and output circuits are switched thereby maintaining illumination under all circumstances. A two position dimmer switch is included on the control unit.	
<b>Compass</b>	Lilley & Gillie 'SR4', Class A, 175mm Reflector Card.	
<b>Azimuth Mirror</b>	The FW9011 Azimuth Reading Device, Group 1 Type, Azimuth Mirror/Circle, is supplied in a hardwood storage box.	
<b>Weights</b>	Reflector Binnacle	35kg
	Non-Reflector Binnacle	30kg
	'SR4' Compass	6.5kg
	Lighting Control Unit	0.62kg
	FW9011 Azimuth in box	1.45kg
<b>Colour</b>	Binnacle, Dark Admiralty Grey. (Others available) Periscope Assembly, Black. Lighting Control Unit, Black with white lettering.	

In accordance with our policy of continuous development, changes may be made from time to time without prior notice.



Manufacturer of magnetic compasses, TMC's and nautical instruments. Adjusting, testing and repair of magnetic compasses by certificated compass adjusters.



Manufacture of type approved navigation and data instrumentation for commercial vessels.



Manufacture of military grade instrumentation systems for naval and paramilitary vessels.



ECDIS, ECDIS training and marine training simulators. Distributor for UKHO, Jeppesen, Primar and all official e-chart manufacturers.



Distribution of lighting products including navigation lights, navigation light switch panels and searchlights.



UK sales and service of Yokogawa gyros, autopilots and logs.



**John Lilley & Gillie Ltd.,**  
Tel: +44(0)191 270 4260  
Fax: +44(0)191 257 6175  
E-Mail: sales@jlgmarine.com  
Web: www.jlgmarine.com

**LILLEY & GILLIE**  
EQUIPMENT

Directing International Shipping since 1812